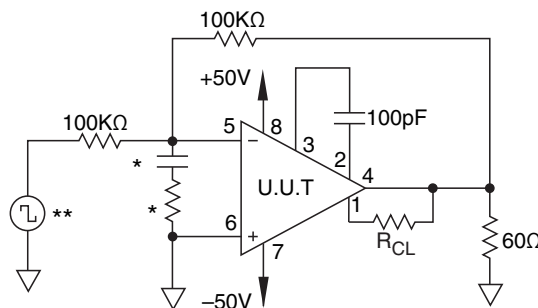


# PA241M

SG	PARAMETER	SYMBOL	TEMP.	POWER	TEST CONDITIONS	MIN	MAX	UNITS
1	Quiescent Current	$I_O$	25°C	±150V	$V_{IN} = 0, A_V = 100$		2.5	mA
1	Input Offset Voltage	$V_{OS}$	25°C	±150V	$V_{IN} = 0, A_V = 100$		30	mV
1	Input Offset Voltage	$V_{OS}$	25°C	±50V	$V_{IN} = 0, A_V = 100$		30	mV
1	Input Offset Voltage	$V_{OS}$	25°C	±175V	$V_{IN} = 0, A_V = 100$		30	mV
1	Input Bias Current, +IN	$+I_B$	25°C	±150V	$V_{IN} = 0$		50	pA
1	Input Bias Current, -IN	$-I_B$	25°C	±150V	$V_{IN} = 0$		50	pA
1	Input Offset Current	$I_{OS}$	25°C	±150V	$V_{IN} = 0$		50	pA
3	Quiescent Current	$I_O$	-40°C	±150V	$V_{IN} = 0, A_V = 100$		2.5	mA
3	Input Offset Voltage	$V_{OS}$	-40°C	±150V	$V_{IN} = 0, A_V = 100$		60	mV
3	Input Offset Voltage	$V_{OS}$	-40°C	±50V	$V_{IN} = 0, A_V = 100$		60	mV
3	Input Bias Current, +IN	$+I_B$	-40°C	±150V	$V_{IN} = 0$		50	pA
3	Input Bias Current, -IN	$-I_B$	-40°C	±150V	$V_{IN} = 0$		50	pA
3	Input Offset Current	$I_{OS}$	-40°C	±150V	$V_{IN} = 0$		50	pA
2	Quiescent Current	$I_O$	125°C	±150V	$V_{IN} = 0, A_V = 100$		3	mA
2	Input Offset Voltage	$V_{OS}$	125°C	±150V	$V_{IN} = 0, A_V = 100$		30	mV
2	Input Offset Voltage	$V_{OS}$	125°C	±50V	$V_{IN} = 0, A_V = 100$		30	mV
2	Input Offset Voltage	$V_{OS}$	125°C	±175V	$V_{IN} = 0, A_V = 100$		30	mV
2	Input Bias Current, +IN	$+I_B$	125°C	±150V	$V_{IN} = 0$		1	nA
2	Input Bias Current, -IN	$-I_B$	125°C	±150V	$V_{IN} = 0$		1	nA
2	Input Offset Current	$I_{OS}$	125°C	±150V	$V_{IN} = 0$		1	nA
4	Output Voltage	$V_O$	25°C	±52V	$R_L = 1K, I_O = 40mA$	40		V
4	Current Limits	$I_{CL}$	25°C	±30V	$R_L = 100\Omega$	50	125	mA
4	Stability/Noise	$E_N$	25°C	±150V	$R_L = 5K, A_V = 1, C_L = 10nF, C_C = 68pF$		10	mVrms
4	Slew Rate	SR	25°C	±150V	$R_L = 5K, C_C = 6.8pF$	5		V/μs
4	Open Loop Gain	$A_{OL}$	25°C	±150V	$R_L = 5K, F = 15Hz$	90		dB
4	Common Mode Rejection	CMR	25°C	±102V	$R_L = 5K, F = DC, V_{CM} = \pm 90V$	84		dB
6	Output Voltage	$V_O$	-40°C	±52V	$R_L = 1K, I_O = 40mA$	40		V
6	Slew Rate	SR	-40°C	±150V	$R_L = 5K, C_C = 6.8pF$	5		V/μs
6	Open Loop Gain	$A_{OL}$	-40°C	±150V	$R_L = 5K, F = 15Hz$	90		dB
6	Common Mode Rejection	CMR	-40°C	±102V	$R_L = 5K, F = DC, V_{CM} = \pm 90V$	80		dB
5	Output Voltage	$V_O$	125°C	±50V	$R_L = 1K, I_O = 30mA$	30		V
5	Slew Rate	SR	125°C	±150V	$R_L = 5K, C_C = 6.8pF$	5		V/μs
5	Open Loop Gain	$A_{OL}$	125°C	±150V	$R_L = 5K, F = 15Hz$	90		dB
5	Common Mode Rejection	CMR	125°C	±102V	$R_L = 5K, F = DC, V_{CM} = \pm 90V$	80		dB

The PA241M is available ONLY in the CE (8-pin TO-3) package style.

## BURN IN CIRCUIT



\* These components are used to stabilize device due to poor high frequency characteristics of burn in board.

\*\* Internal power dissipation of approximately 2.1W at case temperature = 125°C.